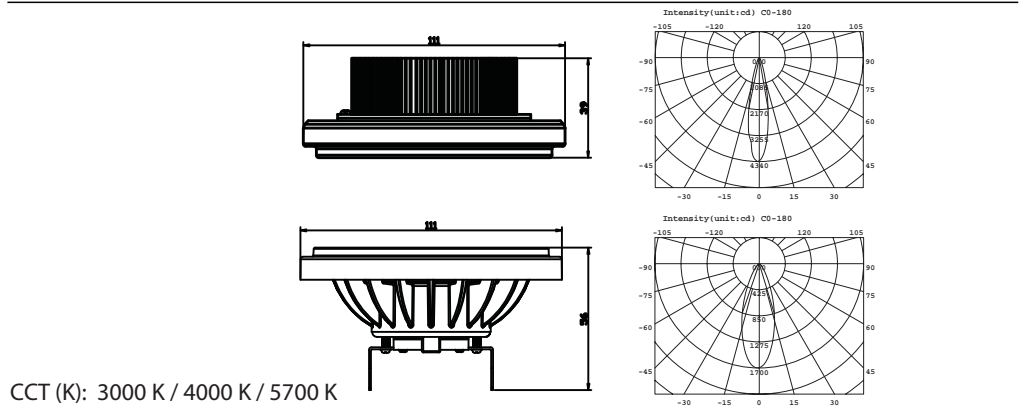


# LED AR111 series

## AWG-AR111



Not Dimmable



CCT (K): 3000 K / 4000 K / 5700 K



### Features :

- Professional accent lighting, perfect light quality
- Reliable electrical solution
- Special LED chip package to improve heat dissipation
- Eco-friendly with no mercury, UV or IR radiation

Item	V	W	PF	Hz	Ra	Lm	Useful Lm	Replace	Life time	Beam angle
AR111 11w Ra80	12V AC	11	>0.8	50/60	>80	800	740	75w	30000h	35°
AR111 11w Ra90	12V AC	11	>0.8	50/60	>90	720	660	75w	30000h	35°
AR111 14w Ra80	220 - 240	14	>0.8	50/60	>80	1000	950	75w	30000h	24°
AR111 14w Ra90	220 - 240	14	>0.8	50/60	>90	900	800	75w	30000h	24°