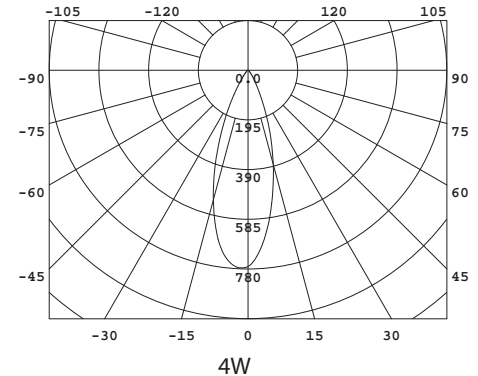
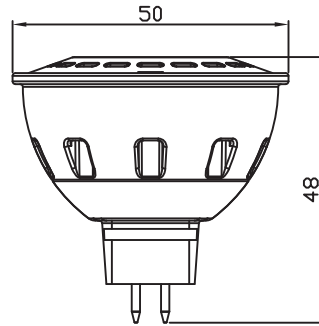


LED Spot MR16

AWG-MR16 COB GU5.3



CCT (K): 3000 K / 4000 K / 5700 K



Not Dimmable

Features :

- Professional accent lighting, perfect light quality
- Safer, more reliable
- Extra long life time, lower maintenance cost
- Delicate appearance, beautiful curve, IEC standard size
- Eco-friendly with no mercury, UV or IR radiation

Item	V	W	PF	Hz	Ra	Lm	Useful Lm	Replace	Life time	Beam angle
MR16 4w Ra80	12V AC/DC	4	>0.5	50/60	>80	250	230	20w	30000h	36°/60°
MR16 5w Ra90	12V AC/DC	5	>0.9	50/60	>90	250	230	20w	25000h	36°/60°
MR16 6w Ra80	12V AC/DC	6	>0.8	50/60	>80	380	345	35w	30000h	36°/60°
MR16 6w Ra90	12V AC/DC	6	>0.9	50/60	>90	380	345	35w	25000h	36°/60°
MR16 7w Ra80	12V AC/DC	7	>0.9	50/60	>80	500	450	41w	25000h	36°/60°